

Stainless Steel Solenoid Valve S6020 Series (G3/8", G1/2", G3/4", G1", G1 1/4", G1 1/2", G2")

GENERAL FEATURES

- Wide pressure range, a flow rate and orifice options.
- Solenoid valves are used with the filter.
- Solenoid valves can be mounted in any position without affecting its operation.
- Coil to be used in a vertical position.
- Don't require any differential pressure.
- Suitable for non-aggressive liquids (water, light oil etc...), gaseous fluids (air, inert gases etc...)

ELECTRICAL CHARACTERISTICS

Continuous Duty	: ED %100
Coil Insulation Class	: H (180°C)(IEC 85)
Coil Impregnation	: Polyester Fiber Glass
Ambient Temperature	: -10°C, +60°C
Protection Degree	: IP65 (ISO 60529) On request; IP68
Electric Plug Connection	: DIN 46340 3-Poles Connector (DIN 43650)
Connector Specification	: ISO 4400 / EN 175301-803 Form A, Spade Plug (Cable Ø6-8 mm)
Electrical Safety	: IEC 335
Standard Voltages	: AC 12V 15VA, 24V 15VA, 48V 15VA, 110V 15VA, 230V 15VA, 230V 24VA DC 12V 18W, 24V 18W, 48V 18W, 110V 18W

On request other voltages
 Voltages Tolerance : AC -15%, +10% DC -5%, +10%
 Frequency : 50 Hz (60 Hz...)
 On request; Connector with LED, PWM Socket Specify coil voltage with order

MATERIALS IN CONTACT WITH FLUID

Body	: Stainless Steel (SS 304)
Internal Parts	: Stainless Steel
Sealing	: EPDM
Shading Ring	: Copper (EN 12735-1)
Seats, Core Tube, Springs	: Stainless Steel

OPTIONS

- Female connection: BSP; (On request NPT)
 • On request CR-Ni plated, PTFE coated done
 • On request Atex (explosion proof) coil.

TECHNICAL FEATURES

Max. Viscosity : 5°E (-37°CST veya mm²/s)
 Response Time : Opening time : 400 ms - 1600 ms
 Closing Time : 1000 ms - 2000 ms

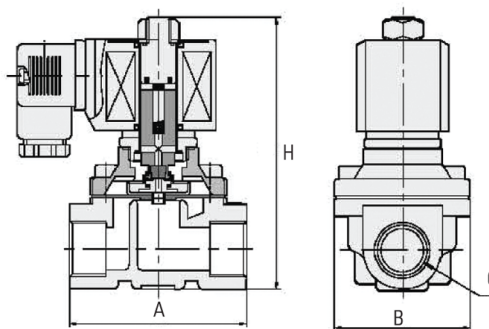
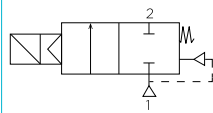
SEALS FEATURES

NBR	: -10°C...+80°C
EPDM	: -10°C...+130°C
VITON	: -10°C...+160°C
PTFE	: -10°C...+180°C
RUBY	: -10°C...+160°C

STANDARDS

- Standard tube connection G (BSP) (ISO 228-1) and other tube connections (NPT (ANSI 120.3)) are available on request.
- TORK solenoid valves 97/23/EC, are available for pressure equipment directive (PED) and 2006/95/ECC low voltage directive (LVD).

Not: Please look catalogues for more details



NORMALLY CLOSED
2/2 OPERATED
PILOT OPERATED
 ΔP=0



Dimensions (mm)				
G	A	B	H	
3/8"	69	57	106	
1/2"	69	57	106	
3/4"	73	57	114	
1"	99	77.5	121	
1 1/4"	112	86.5	150	
1 1/2"	123	94	160	
2"	168	123	183	

Solenoid Valve Symbol	Valve Type/Order No	Connection Size	Orifice Size	Pressure min/max		Kv	Seal	Weight			
				Bar	Lt/dk						
									AC	DC	
	S6020	G	mm	Bar	Bar	Lt/dk	NBR	Opsiyon Viton EPDM	kg		
	S6020.02	3/8"	16	0	10	6	69	✓	✓	✓	1,08
	S6020.03	1/2"	16	0	10	6	69	✓	✓	✓	1,04
	S6020.04	3/4"	20	0	10	6	108	✓	✓	✓	1,06
	S6020.05	1"	25	0	10	6	172	✓	✓	✓	1,20
	S6020.06	1 1/4"	32	0	10	6	345	✓	✓	✓	3,45
	S6020.07	1 1/2"	40	0	10	6	415	✓	✓	✓	3,35
	S6020.08	2"	50	0	10	6	690	✓	✓	✓	3,78